

MX825STH BenQ DLP Projector

FEATURE HIGHLIGHTS

- 3,500 ANSI LUMENS HIGH BRIGHTNESS
- 0.61 SHORT THROW RATIO
- POINTWRITE INTERACTIVE SOLUTION COMPATIBLE
- LAN CONTROL
- USB POWER & HDMI / MHL READY
- SMARTECO POWER SAVING TECHNOLOGY



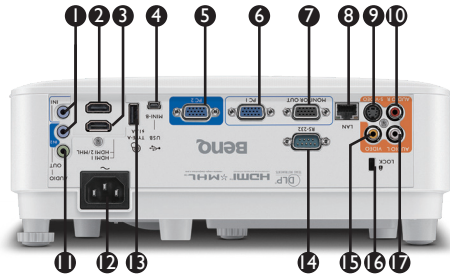
Product Specifications

Projection System	DLP Single 0.55" XGA
DMD type	DC3 DMD chip
Native Resolution	1024 x 768 pixels
Brightness	3,500 Lumens
Contrast Ratio*	20,000 : 1
Display Color	1.07 Billion Colors
Aspect Ratio	Native 4:3 (5 aspect ratio selectable)
Light Source	Lamp
Light Source life**	Normal 6000 hrs; Economic 10000 hrs; SmartEco 10000 hrs; LampSave 15000 hrs
Throw Ratio	0.61
Zoom Ratio	Fixed
Keystone Correction	1D, Vertical +/- 30 degrees
Projection Offset	115%±2.5% (Full-Height)
Projection Size	60"~120" / 120"
Built-in Speaker	10W x 1
Security	Security Bar; Kensington lock
Feature	SmartEco Power-Saving Technology, 0.61 Short Throw Ratio, Designed for Education & IWB
Resolution Support	VGA (640 x 480) to WUXGA_RB (1920 x 1200) *RB-Reduced Blanking
Horizontal Frequency	15~102KHz
Vertical Scan Rate	23~120Hz
HDTV Compatibility	480i, 480p, 576i, 567p, 720p, 1080i, 1080p
Video Compatibility	Frame Sequential: Up to 720p Frame Packing: Up to 24 Hz 1080p Side by Side Half: Up to 60Hz 1080p Top Bottom: Up to 60Hz 1080p
Power Consumption	260W (typical)
Standby Power Consumption	Standby <0.5W, Network standby <2W
Power Supply	AC 100 to 240 V, 50/60 Hz
Product Dimensions (W x H x D)	296 x 239 x 120 mm
Product Weight	2.6 kg (5.7 lbs)
Noise Level (Normal / Eco)	33 / 29 dBA
Operating Temperature	0 ~ 40°C
Accessories (Standard)	Remote Control Power Cord (by region) Warranty card (by Region) User Manual e-edition Quick Start Guide
Accessories (Optional)	PointWrite PW02 Finger-Touch PT12 Spare Lamp Kit Wall Mount Dust Filter
On Screen Display & Launcher Language	Arabic / Bulgarian / Croatian / Czech / Danish / Dutch / English / Finnish / French / German / Greek / Hindi / Hungarian / Italian / Indonesian / Japanese / Korean / Norwegian / Polish / Portuguese / Romanian / Russian / Simplified Chinese / Spanish / Swedish / Turkish / Thai / Traditional Chinese (28 Languages)

* The Contrast is measure by Full On Full Off standard.

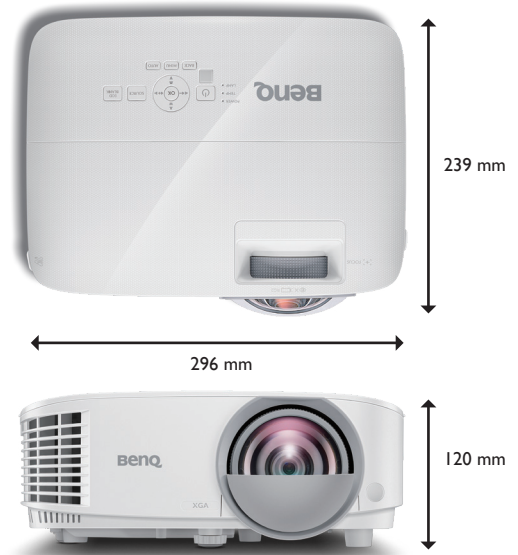
**LightSource life results will vary depending on environmental conditions and usage. Actual product's features and specifications are subject to change without notice.

Input and Output Terminals

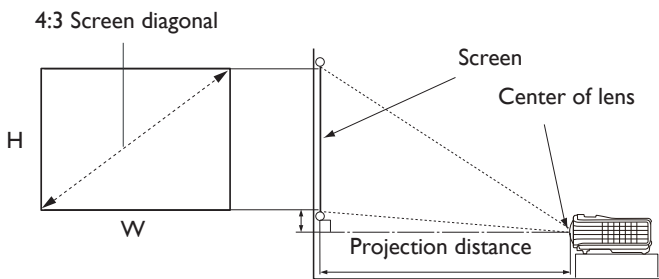


- | | |
|---------------------------|-----------------------------------|
| ① Audio input 1 / 2 jack | ⑪ Audio output jack |
| ② HDMI 2 / MHL input jack | ⑫ AC power cord inlet |
| ③ HDMI 1 input jack | ⑬ USB Type-A port |
| ④ USB Mini-B port | ⑭ RS-232 control port |
| ⑤ PC input 2 | ⑮ Video input jack |
| ⑥ PC input 1 | ⑯ Kensington anti-theft lock slot |
| ⑦ Monitor output jack | ⑰ Audio L input jack |
| ⑧ RJ45 LAN input jack | |
| ⑨ S-Video input jack | |
| ⑩ Audio R input jack | |

Dimensions

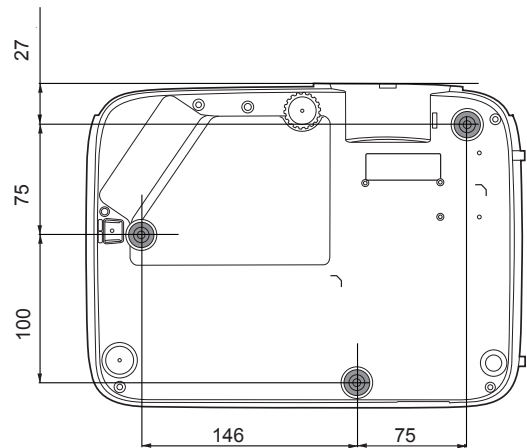


Distance Chart



Screen Size				Distance from Screen	Lowest / Highest Lens position
Diagonal	Height	Width			
inch	mm	mm	mm	mm	mm
60	1524	914	1219	744	137
70	1778	1067	1422	868	160
80	2032	1219	1626	992	183
90	2286	1372	1829	1116	206
100	2540	1524	2032	1240	229
110	2794	1676	2235	1363	251
120	3048	1829	2438	1487	274

Ceiling Mount Chart



Ceiling/Wall Mount screw: M4
(Max. Length = 25 mm; Min. Length = 20 mm)
Unit: mm

*The screen aspect ratio is 4 : 3 and the projected picture is in a 4 : 3 aspect ratio.



SCAN ME



<https://www.benq.eu/en-eu/business/index.html>

© 2020 BenQ Corp. Specifications may vary by region, please visit your local stores for details. Actual product's features and specifications are subject to change without notice. This material may include corporate names and trademarks of third parties which are the properties of the third parties respectively.

BENQ